

Litelines

Catalog #:	
Job:	
Type:	Voltage:

TC718 Series

Structural

A precast concrete stantion utilizing a cast aluminum 4/0 box cover with 1/2" IPS center outlet and secured to cast base with (2) philips head screw fasteners. Exclusive "POLYFLANGE", an injection molded polycarbonate flange eliminates concrete fractures where screws secure cover to casting.

Electrical

Tapered wiring chamber accepts multiple conduits and eliminates the need for an electrical junction box.

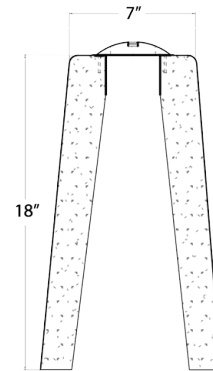
Surface

The precast concrete shall be available in the following finishes: Mold Finish ("MF"), Sandblast ("LS") or Exposed Aggregate ("EA"). Consult factory for special aggregates and surface textures.

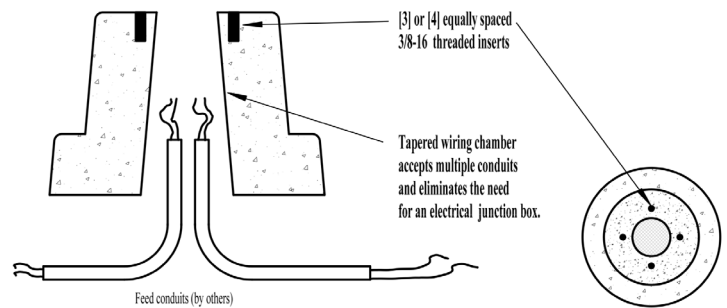
Color

The concrete shall be available in the following standard colors: Natural Grey Cement (N), Brown (BR), White (WH), Buff (BU), Copper (CO) and Black (BK). Consult factory for other colors.

Dimensions



Mounting



Ordering Information

Ordering Example: TC718-N-MF-GS

